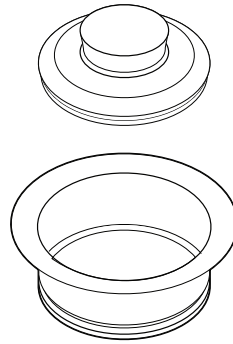


luxier® 4.5 in. Garbage Disposal Flange



Available Finishes:

- Brushed Gold
- Matte Black
- Oil Rubbed Bronze
- Stainless Steel

Important Information

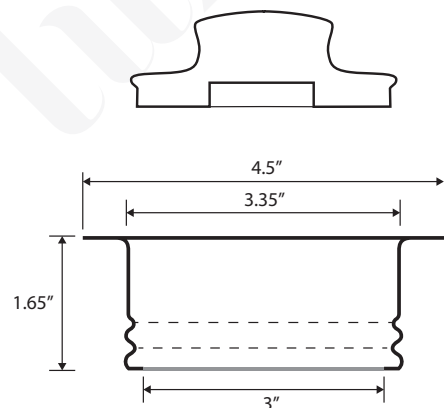
- This installation guide is subject to change without notice
- Read and understand this installation guide completely.
- Observe all local plumbing and building codes.
- This is only a general installation guideline, actual installation may vary. Consult a professional if necessary.
- Product drawings in this installation guide is for illustration purpose only. Actual product may vary by models.
- It is recommended that the installation of this product be performed by trained and experienced installers.

Maintenance Guide

Please follow the cleaning material manufacturer's instructions. Damage caused by improper treatment will not be covered by product warranty. In addition, pay attention to the following points:

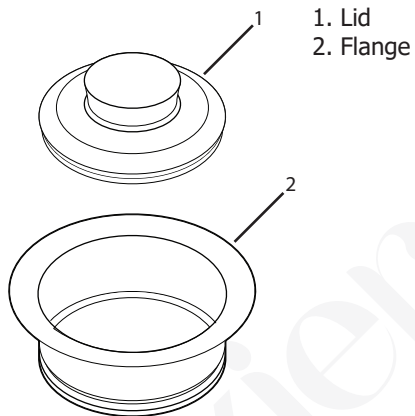
- Regular cleaning can prevent mineral build up on surface.
- Carefully read the cleaner product label to ensure the cleaner is safe for use on the material.
- Test the cleaner on a small area before using on the entire surface.
- Use a mild detergent such as liquid dishwashing soap and warm water for cleaning.
- Do not use abrasive / harsh chemical when cleaning the fixture as they will damage and dull the finish.
- When using spray cleaners, spray first onto a soft cloth or sponge. Never spray directly onto the faucet as droplets can enter openings and gaps and cause damage.
- After cleaning, rinse thoroughly with clean water to remove any cleaner residue.

Dimensions



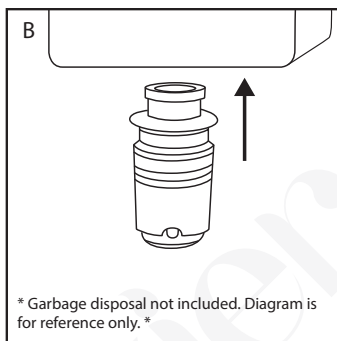
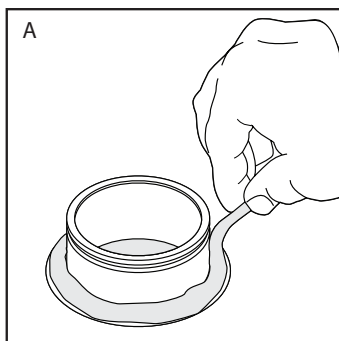
* Drawings not to Scale. All Measurements are Approximate *

Parts



Installation

1. Remove old flange from the sink and remove old putty from the sink with a scraper or putty knife.
2. Evenly apply a thick ring of non-hardening plumber's putty (about 1/2" thick) around the indentation of the sink as shown in Fig. A.
3. Press the flange firmly into the sink and remove excess putty.
4. Install the garbage disposal unit from underneath the kitchen sink. Make sure to follow the instructions provided by the garbage disposal manufacturer. See Fig. B for reference. (Garbage disposal is not included.)



* Garbage disposal not included. Diagram is for reference only. *

Warranty

Limited **Two (2)** Year Warranty (For USA Only)

The manufacturer warrants this product to be leak and drip free during daily normal household use for as long as it is owned by the original purchaser of this product. Please keep a copy of the original invoice as proof of purchase.

Should a malfunction occur within the warranty period, Luxier USA will, as its option, (1) repair or replace the defective part(s) or product at no charge; (2) issue a refund of the purchase price paid for the product (Valid within 30 days from the date of purchase); or (3) issue a credit to be applied against the purchase of a new Luxier product. Shipping/delivery charges may apply and are in Luxier USA's sole discretion.

This limited warranty shall not apply to goods which have been subject to accident, negligence, improper installation, product abuse, product misuse, or use of cleaners containing abrasives, alcohol or other organic solvents, whether performed by a contractor, service company, or yourself, are excluded from this warranty.

Our responsibility under this warranty is limited to only to replacement parts and no other costs. Luxier USA will not be responsible for labor charges and/or damage incurred by installation, repair or replacement, nor for any indirect incidental or consequential damages, losses, injury or costs of any nature relating to this faucet. Except as provided by law, this warranty is in lieu of and excludes all other warranties, conditions, and guarantees, whether expressed or implied, statutory or otherwise, including without restriction those merchantability of fitness for use.

This limited warranty is non-transferable. This limited warranty only applies to products purchased and installed in the United States. This limited warranty covers the original consumer purchase only and does not include business, commercial or industrial use of this product. To obtain service under the Limited Warranty, please contact Luxier USA at support@luxierusa.com. The Luxier USA Customer Care Department will determine whether to repair or replace your product, issue a refund, or issue a credit.